



CARA family  
Face the day well-rested



## CARA family – Face the day well-rested

The CARA family satisfy patients requirements in a modern style.

- **Focus on sleep**
- **3 sizes** fit 80 - 90% of patients
- **Keep advantages & improvements**
  - Sound
  - Weight
  - Ball-and-socket-joint
  - Modern design
  - OEKO-TEX Standard 100
  - Made in Germany



## Customer feedback

- ☺ Fitting really good – now with the 3 sizes
- ☺ Lightweight / less pieces for the patient
- ☺ Silent
  
- ☹ Headgear CARA nasal
  - Velcro tabs do not last 1 year
  - Headgear itself too flexible -> wears out too soon

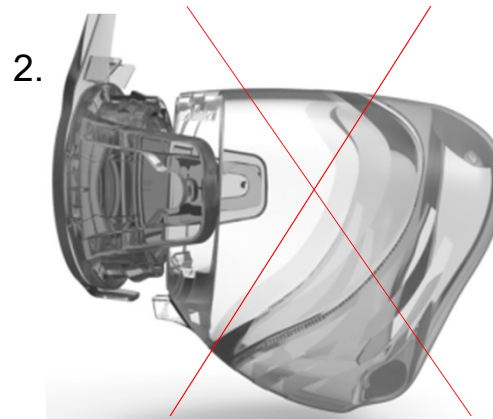
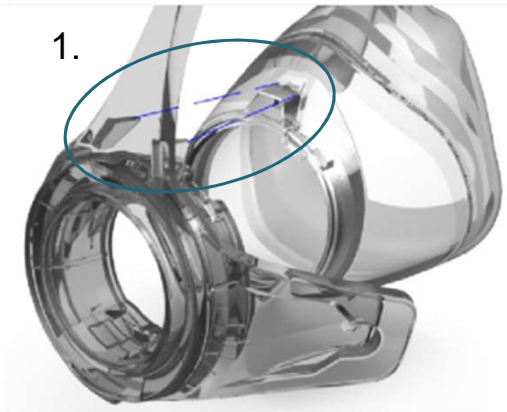
## The mask cushion

- Completely **reworked**
- **Fitting comfort**, soft and supple, but stable
- **3 sizes**, shown on the bottom of the cushion
- **Fit on mask body**
  - Nasal – all cushions on the same mask frame
  - Full Face - One size (cushion) per mask body
    - Focus on the patient's comfort
    - High stability

## The mask cushion

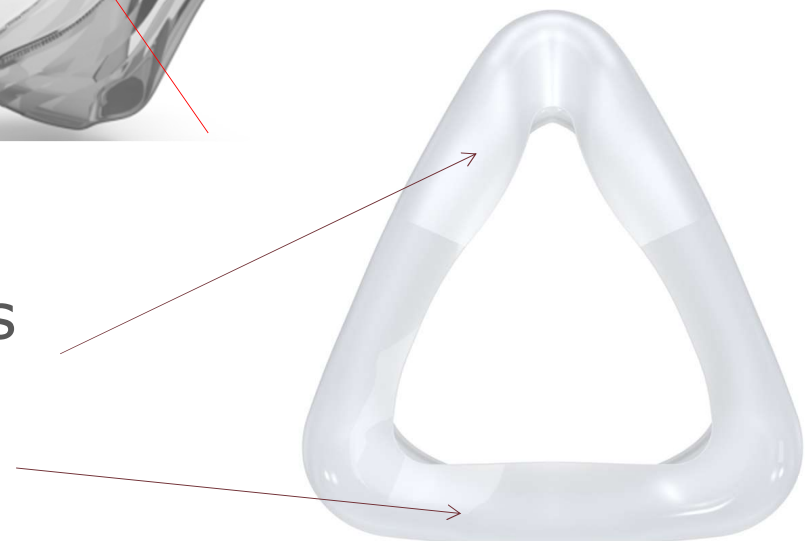
### Nasal

- Easy to assemble (1.)
- Wrong assembly not possible (2.)



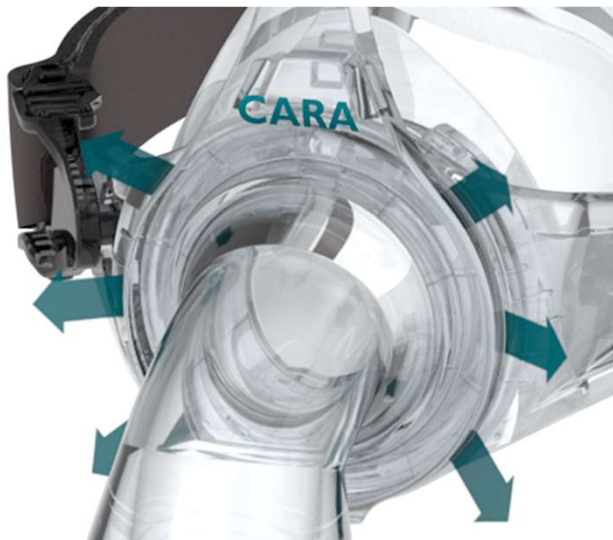
### Full Face

- 2 areas with different surfaces
  - Upper part soft + supple
  - Lower part sticky + stable



## The exhalation system

- **Bank on the best**
  - Silent
  - Diffuse
  - Gap
  - Upper closed portion
- **Improved** - position „moved to the inside“



# The elbow

## Ball-and-socket joint

- 360° movement
- 3D movement
- Disassembly of ball-and-socket joint not possible

## Rotating sleeve with curved edge

- For a better grip
- Stop for the tube
- Nasal – transparent, smaller
- Full Face – smoke-grey, bigger
- No pressure measurement port

## Full Face - new **Anti-Asphyxia-Valve (AAV)**

- Not possible to disassemble
- Thermal disinfection possible
- Smaller



# The headgear

## Color-coding

- Nasal - teal color on top
- Full Face – syrah color on top

## Upper part adjustable

## Proven **breathable material**

## Headgear **OEKO-TEX STANDARD 100** proven

- Known from underwear or bed linen
- Skin-friendly
- Tested for unhealthy materials



**OEKO-TEX®**

CONFIDENCE IN TEXTILES

**STANDARD 100**

17.0.19472 HOHENSTEIN HTTI

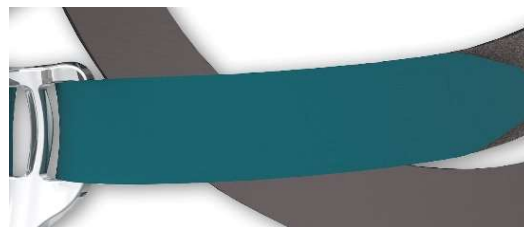
Tested for harmful substances.  
[www.oeko-tex.com/standard100](http://www.oeko-tex.com/standard100)





## Clip & Velcro & Quick-release cord

- **Clips**
  - Intuitive handling
  - Easy handling because of shell type handle
  - FF clips slightly bigger than nasal ones
- **Hook-and-loop tabs**
  - EasyGrab easier to handle
  - Improved endurance
- Full Face accessory: **quick-release cord**
- Production changed since Sep. 20



## The forehead support

- No forehead cushion necessary
- Touches the forehead only slightly
- 2 assembly options for the headgear
  1. Without opening – slip hook-and-loop tabs
  2. With opening - fixed hook-and-loop tabs

1.



2.



Picture shows **CARA**  
(nasal mask)

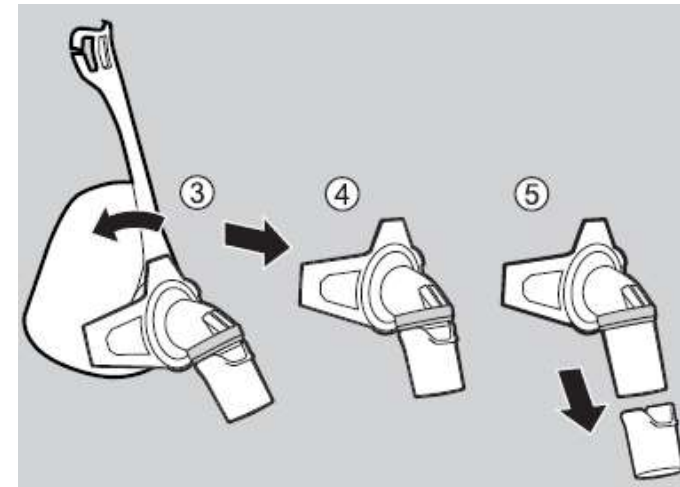
# Assembly / Disassembly

## CARA nasal



Turn the mask frame  
from 12 to 11 o'clock

## CARA Full Face



Turn the connecting element  
from 12 to 11 o'clock

## CARA family goes green

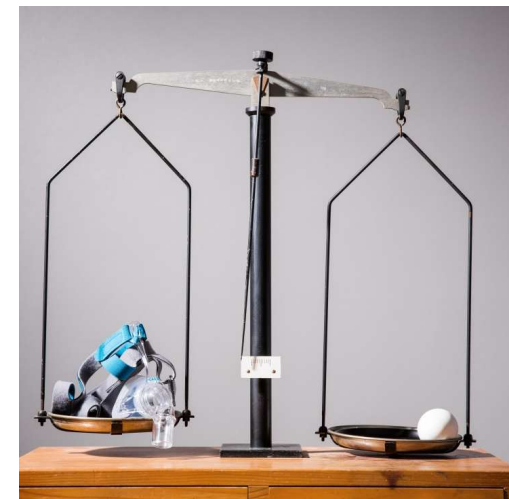
- **Less material**
  - 1/3 less than JOYCEone
  - 1/4 less than JOYCEone Full Face)
- **Free of**



Bisphenol-A



Free of softener



# Handling



# CARA (Full Face) goes on easily



Loosen both clips from the mask.



Pull the headgear over your head.



Adjust the lower portion of the headgear the same way so that it is as loose as possible and as tight as necessary.



Position the headgear on the head so that the lower portion does not hit the ear lobes.



Fasten the lower clips on the mask.



Adjust the upper portion of the headgear so that it is as loose as possible and as tight as necessary.



Adjust the forehead support as loosely as possible; it does not have to lie on the forehead.

# The cleaning

Cleaning the same as for all previous LMT masks

- **At home**

- daily

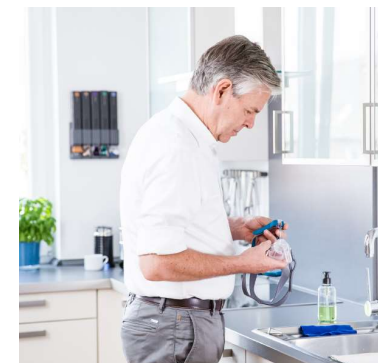
Handwash with warm water and mild detergent + rinse with clear water

- 1x/ week

Dishwasher all parts except headgear

- **Hospital**

	Chemical disinfection	Thermal disinfection	Sterilization
Silicone	Yes	Yes	Yes
Plastic material	Yes	Yes	No
Headgear	No	No	No
<b>AAV</b>	<b>Yes</b>	<b>Yes</b>	<b>No</b>



How Should I Clean my Mask?



Notice Regarding Disinfection/Sterilization of Löwenstein-Medical-Masks in Hospital Use

This notice concerns all mask types and mask parts which are to be disinfected/sterilized for use. Please observe also the instructions for use for each mask type or part. The information is presented as follows: Table 1: Mask parts to be disinfected/sterilized; Table 2: Our recommended and validated disinfecting and sterilization procedures; and Table 3: List of active ingredients used and ingredient groups. In some cases the forehead support may become detached from the mask body during the disinfection/sterilization procedure. We tell you how to reassemble the parts in Table 4.

**Important instructions:**

- If the institution responsible for processing (e.g. hospital) uses a different procedure or exceeds the disinfection or sterilization cycles, the institution assumes the responsibility for any effects on the mask.
- Disinfection of the forehead cushion and mask seal can occur. These changes do not impair the mask's function.
- Pay strict attention to the manufacturer's instructions when using cleaning, disinfecting or sterilizing agents.
- Please observe the instructions for use and safety data sheet.
- The following should be considered when choosing a cleaning or disinfecting material:
  - that it is suitable for the cleaning or disinfecting of synthetic materials.
  - that a disinfectant with certified effectiveness (e.g. VANDICHRM or FDA approval or CE sign) is used and that it is compatible with the cleaning agent used.
- The concentration and contact time provided by the manufacturer of the cleaning or disinfecting agent must be strictly observed.
- The Sterility Assurance Level (SAL) of the reusable mask components is 10<sup>-6</sup> or one in a million when the mask components are disinfected or sterilized as described in the following procedures.

Our recommended and validated procedures for disinfection/sterilization:

We recommend the disinfectants Gigasept FF (new), Cidex, CIPR, and Anoxymex D20. An independent and accredited test laboratory has proven the compatibility and effectiveness for these disinfectants. Please observe the manufacturer's instructions for these products.

The procedure described is based on DIN EN ISO 13664 "Sterilization of Medical Devices - Information to be provided by the manufacturer for the processing of reusable medical devices".

## Advertising Material

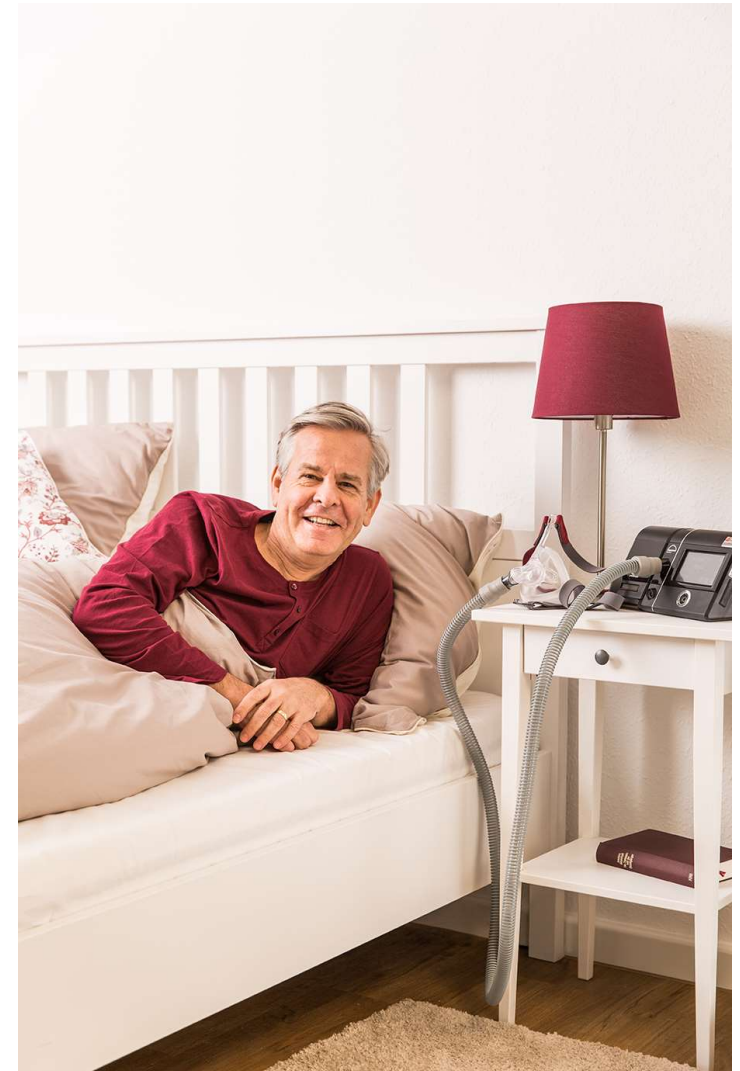
- CARA
  - Product Data Sheet
  - Fitting boxes nasal & Full Face
- Overall
  - Order overview
  - Product Line Presentation
  - Cleaning brochure hospital
  - Cleaning brochure patient
- Website <https://homecare.loewensteinmedical.com/en/produkt-kategorie/patient-interface-en/>
- YouTube [https://www.youtube.com/playlist?list=PLenfuLIyBtUYh4t04p16iuAKm\\_-4Gqbod](https://www.youtube.com/playlist?list=PLenfuLIyBtUYh4t04p16iuAKm_-4Gqbod)



## CARA family – Face the day well-rested

The CARA family satisfy patients requirements in a modern style.

- **Focus on sleep**
- **3 sizes** fit 80 - 90% of patients
- **Keep advantages & improvements**
  - Sound
  - Weight
  - Ball-and-socket-joint
  - Modern design
  - OEKO-TEX Standard 100
  - Made in Germany



## CARA family – Face the day well-rested!

